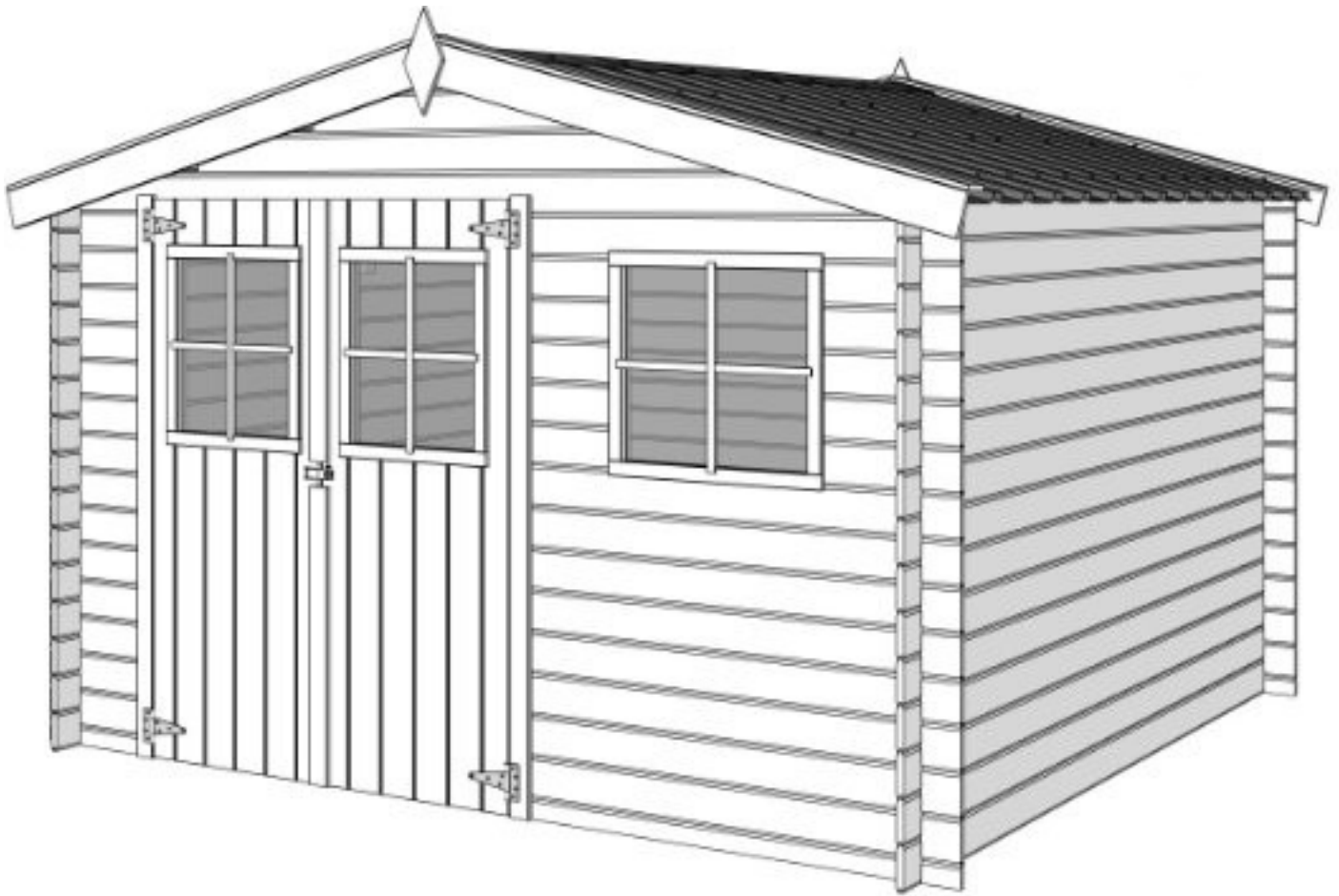


ASSEMBLY INSTRUCTIONS  
FOR 19MM LOG CABIN WITH GABLE ROOF  
AND POLYESTER SHEETS



**GARDENAS**  
TIMBER GARDEN CONSTRUCTIONS

# ASSEMBLY INSTRUCTIONS LOG CABIN 19MM WITH GABLE ROOF IN POLYESTER

Congratulations on the purchase of your log cabin.

If you read the assembly instructions carefully, you will enjoy your purchase for many years to come.

## **IMPORTANT!**

Before you start assembly, we would like to give you some important information that deserves your attention.

**A** You have purchased a log cabin made from an untreated natural product. The wood still needs to be treated to ensure a long lifespan. It is best to seek advice from a specialist in the field when choosing your treatment product and maintaining your log cabin. Only use products that penetrate the wood and protect it against moisture, wind and weather, as well as insects and fungi. Do not use products that are so viscous that they prevent a good connection between the tongue and groove and the corner joints. You only have the opportunity to treat the tongue and groove **before** assembly. It is very important **to treat all parts on all sides**. This means you must also treat **the inside** of the log cabin.

**B** It is best to install a waterproof concrete base that is 10 cm larger than the outer dimensions of the log cabin. It is extremely important that your log cabin is level and remains so. Please note that if your structure does not remain stable after installation, gaps and deformations may occur in the log cabin. Ensure that ground moisture and other moisture cannot penetrate the wood by providing adequate ventilation of the log cabin and treating **the inside of** the log cabin against moisture. The bottom logs of your log cabin deserve extra attention, as they will be most exposed to water. Therefore, treat them with extra care. Seal the joint between the log cabin and its base with silicone (not included). Anchor your log cabin to its base (e.g. with L-brackets, not included) to protect it from stormy weather.

**C** "Wood lives", a saying that also applies to your purchase. In concrete terms, this means that the height of the log cabin varies depending on the humidity. If you install vertical or horizontal structures (e.g. shelves, electrical wiring, storm braces, etc.), you must ensure that you do not impede this natural movement of the wood. If you connect the wood vertically in certain places, gaps will appear between your logs during periods of low humidity, often resulting in deformation of the log cabin. Do not be alarmed if you notice a gap above the door and window during the assembly of your log cabin. These are designed to accommodate shrinkage and expansion. We supply matching cover strips to conceal this gap.

**D** Remove the parts of your log cabin from the packaging two days before assembly. This will allow the wood to acclimatise to the humidity. Place the logs slightly apart, sheltered from rain and sun. Now carry out a full check using the enclosed parts list. Complaints about materials will not be accepted if the parts have been painted. Complaints must be submitted to us no later than 8 days after delivery.

**E** Wood is a natural product. This means that slight variations may occur. What are **acceptable** variations?

- Knots,
- Fallen knots no larger than a thumb,
- Fallen knots or slight damage to the edges (tongue and groove) if coverage is guaranteed during assembly,
- Discolouration in the wood,
- Straight cracks that do not split the log, splitting cracks that are no longer than 12 cm,
- Resin pockets of max. 5 cm,
- Wood that is slightly bowed, if assembly is still possible (the pressure of the roof will usually keep the log straight).

**F** Ensure that your log cabin is **anchored** to its base (e.g. L-brackets, not included). Also ensure that you have effective vertical storm bracing that takes into account the tips mentioned in point C 'Wood lives'. Gardenas dealers sell our special storm bracing products.

**G** Do not use nails or screws when assembling the walls. The pressure of the roof with the storm bracing will ensure that your log cabin remains standing.

To prevent splitting, we recommend that you pre-drill with a drill bit that has a smaller diameter than the diameter of the screw.

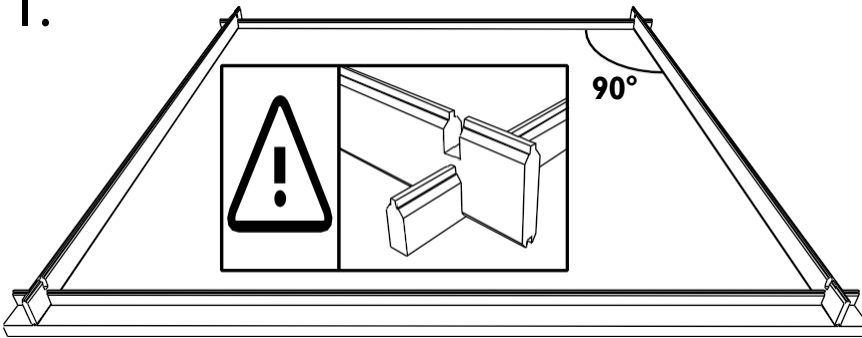
**H** If a part is damaged during assembly, or are you having trouble figuring it out?

Our after-sales service is at your disposal:

- during office hours by telephone: +32 (0)52 21 95 71
- by fax: +32 (0)52 22 09 03 or
- by e-mail [info@gardenas.be](mailto:info@gardenas.be)
- If you notice any damage to the package, please let us know within 48 hours.

After you have checked the accompanying parts list **and all parts are treated**, you can start assembling. What do you need? A saw, a protractor, a piece of auxiliary wood, a screwdriver (preferably battery-powered or electric), 2 ladders, a rubber mallet, a drill, a set of spanners, silicone. At least 3 adults are required for assembly. Keep children away during assembly.

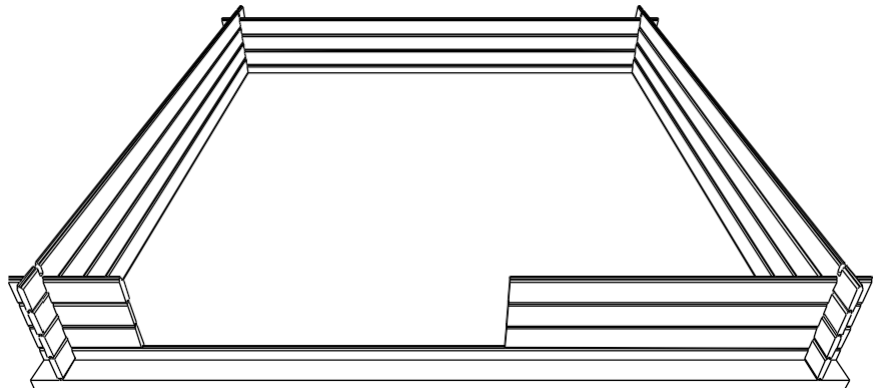
1.



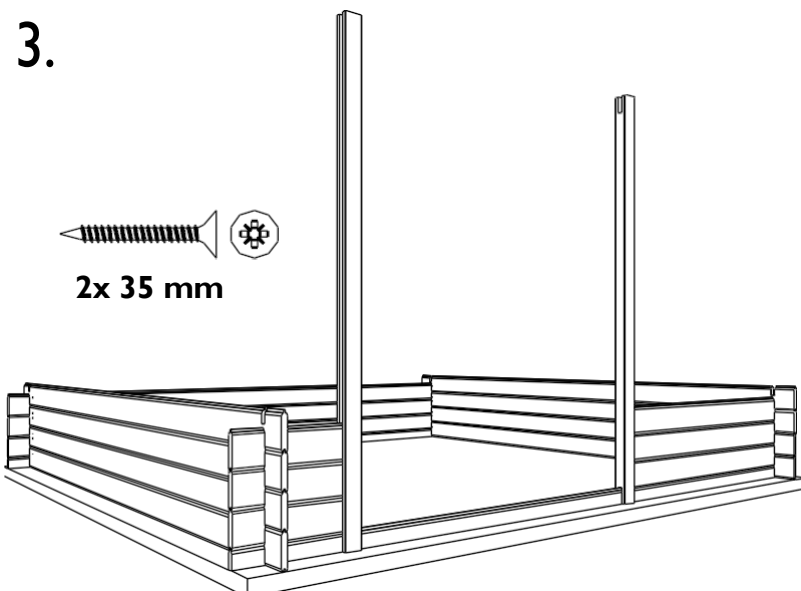
Ensure that you immediately achieve a 90° angle in your corner joint. The tongue should be at the top. The bottom log in the front and rear walls is a half board with only a tongue, while the bottom log of the side wall has a tongue and groove. Ensure that the logs rest firmly on the ground.

Continue building the log cabin as indicated on the wall drawings in the parts list, up to 3 logs high. If the door in your model is not centred you can choose which side to place it on. Use a hammer to ensure the logs fit together tightly. However, never strike the wood directly (damage to the tongue can make assembly more difficult), but strike a piece of auxiliary wood or use a rubber mallet.

2.

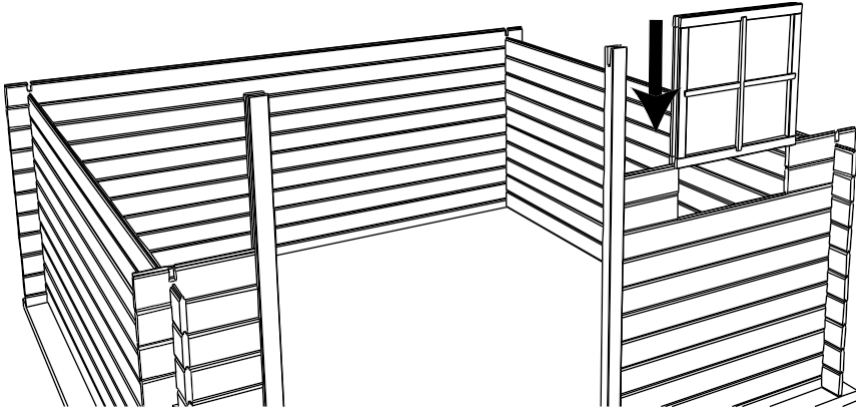


3.

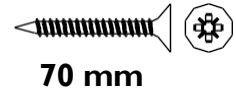


Lower the door jambs into the opening. **Secure the door jambs to the log cabin only at the bottom with a screw; never screw into the top of the log cabin itself** (see tips and advice on 'wood lives'). It is best to finish the door once the log cabin has been fully assembled.

4.

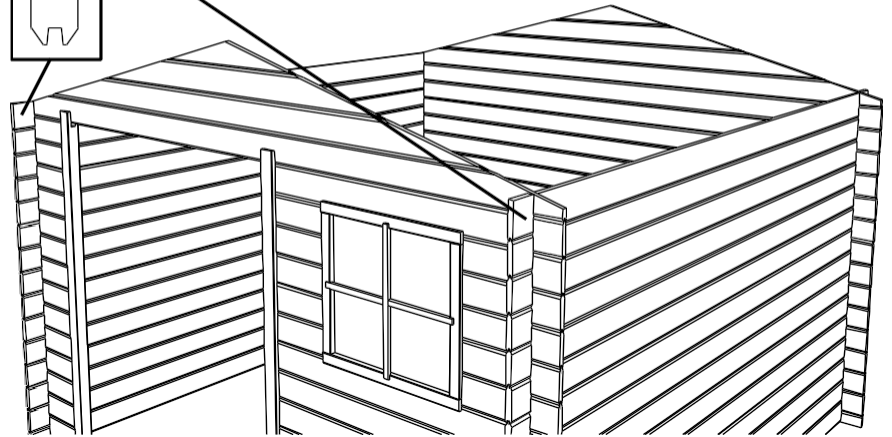


Continue building according to the supplied plans (see detailed parts list) until you reach the height of the bottom of the window. Now add two extra layers. If the model has a window in the side wall, you can choose whether to place the window in the left or right wall. Lower the window frame into the opening. **Do not attach your frame to your log cabin with screws or nails! ('Wood lives').**

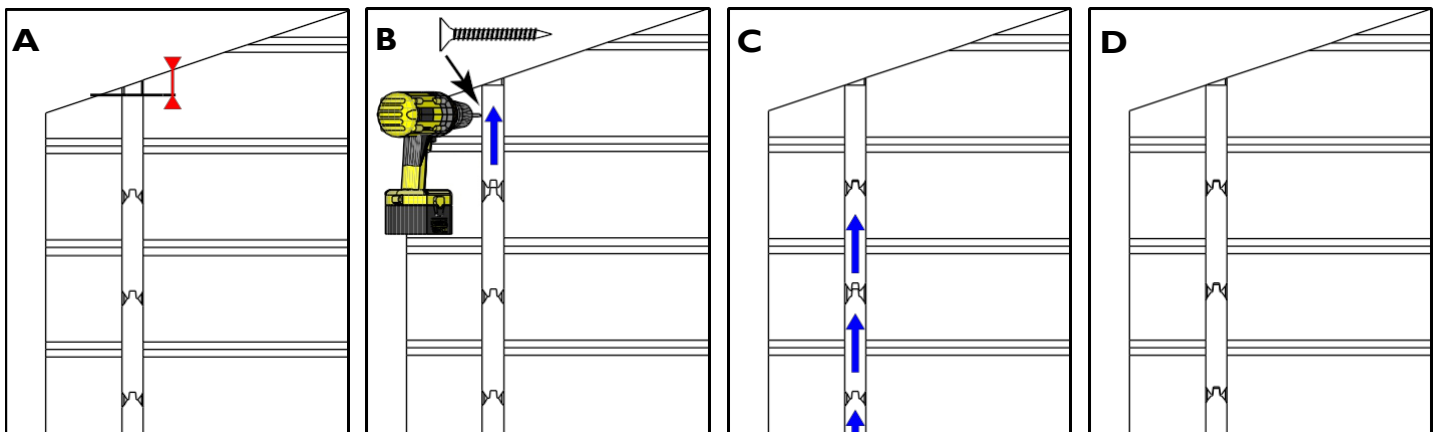


5.

Continue building as indicated on the wall drawings in the parts list, until you only have to install the gable. The top log has no tongue, only a groove; in other words, it is flat at the top. Your package contains two gables to assemble. Install these now. Secure the individual logs together with 70 mm screws.

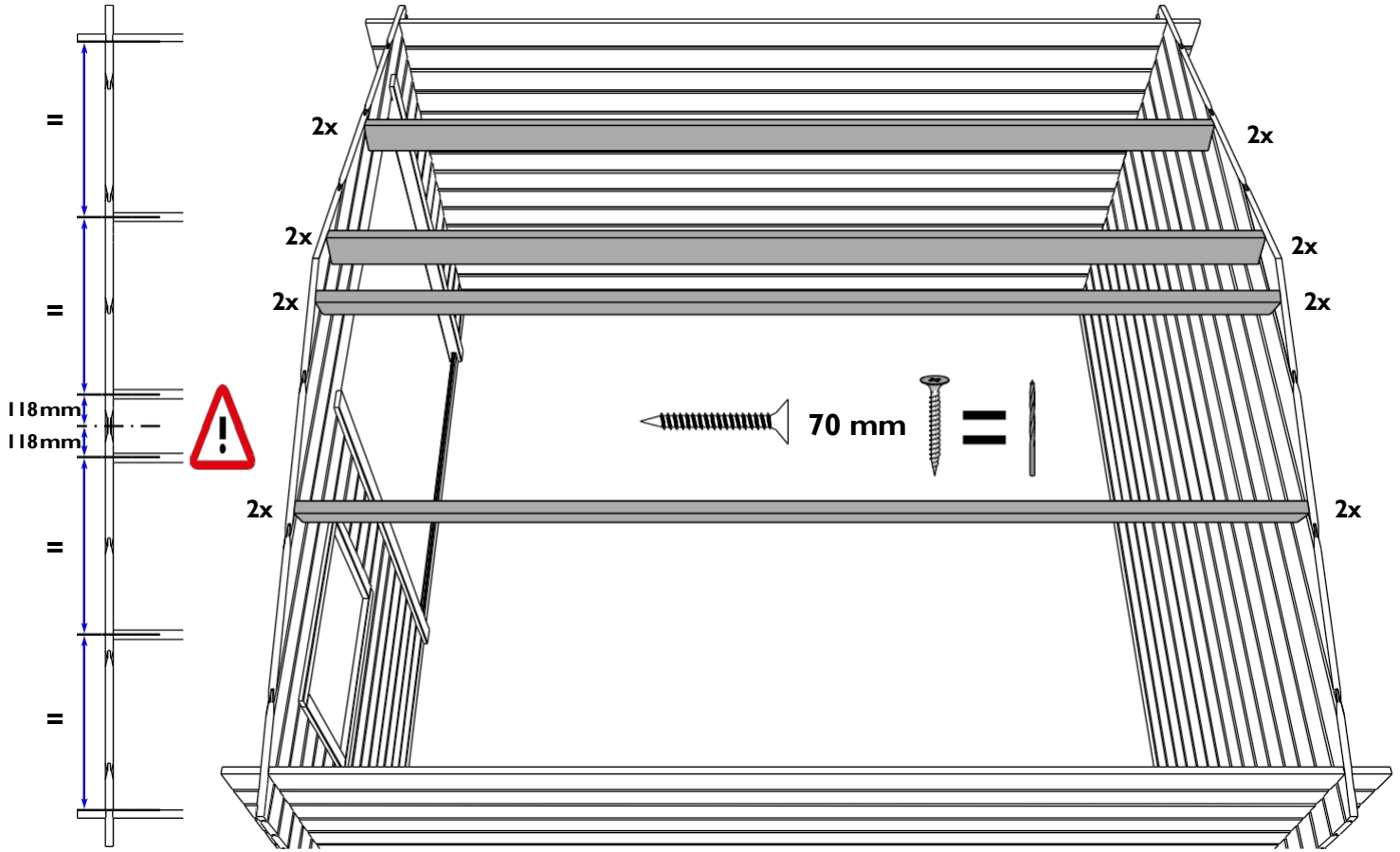


If there are height differences between the walls, check that the logs fit together properly. To compensate for a height difference (detail A), align the top log with the gable and screw them together (detail B). Now, gently tap the underlying logs upward one by one (detail C) to distribute the gap evenly across all logs (detail D).

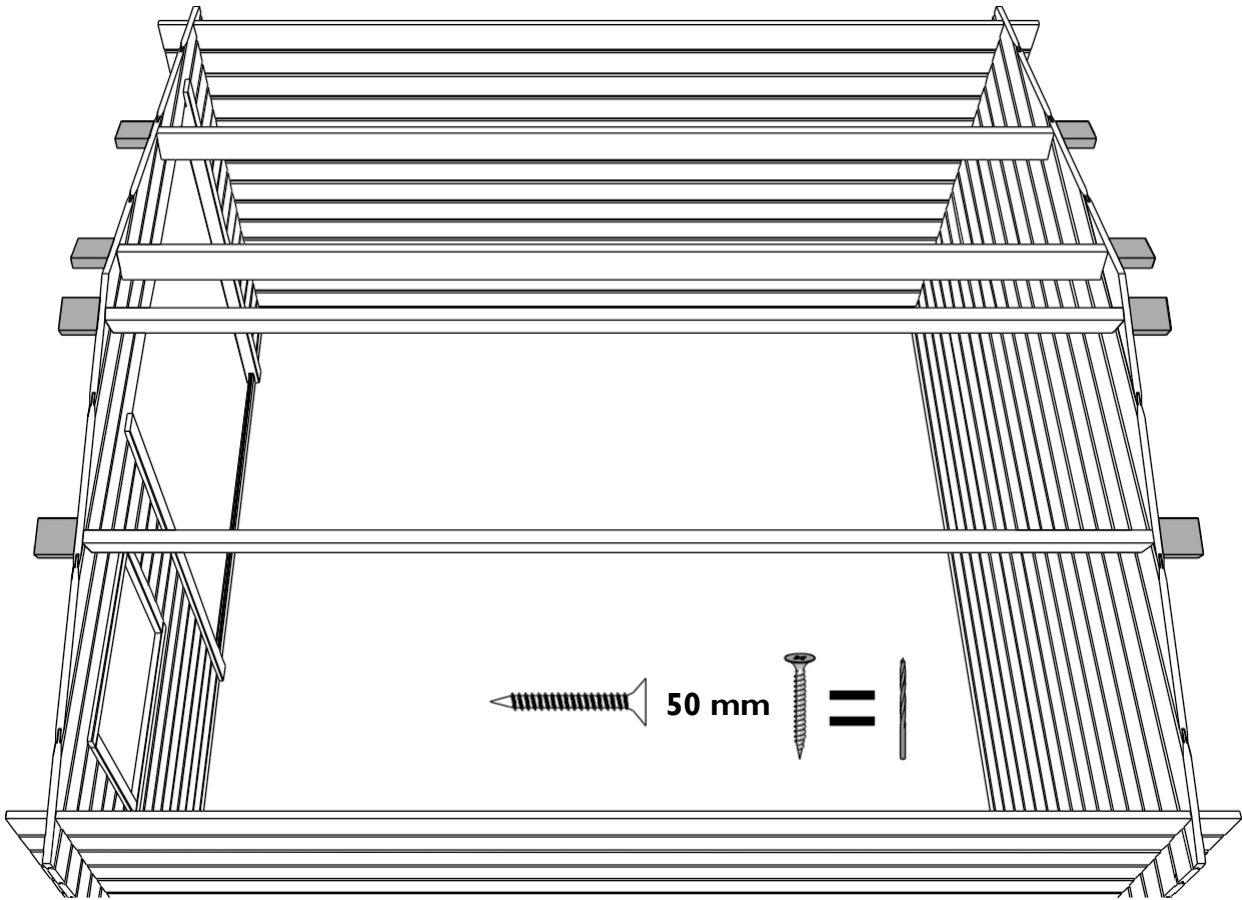


6.

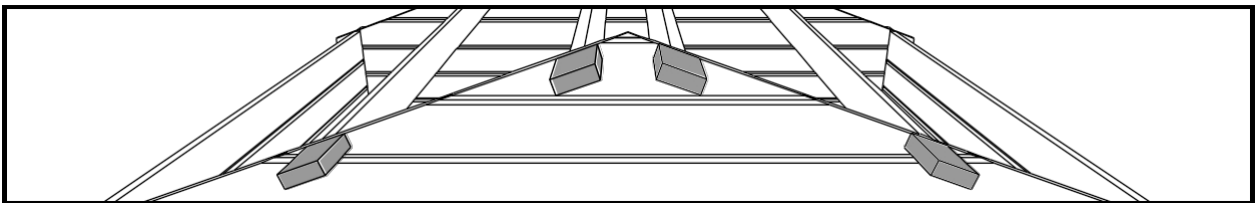
Install the ridge beams as indicated in the drawing (respect the distances). Distribute the remaining rafters symmetrically!



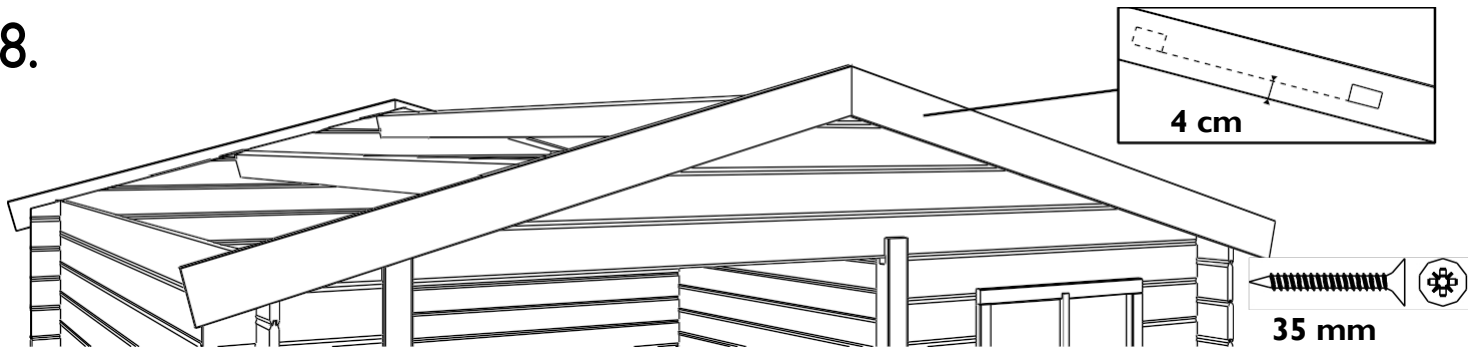
7.



Fit the auxiliary rafters on the outside, screwing from outside to inside.

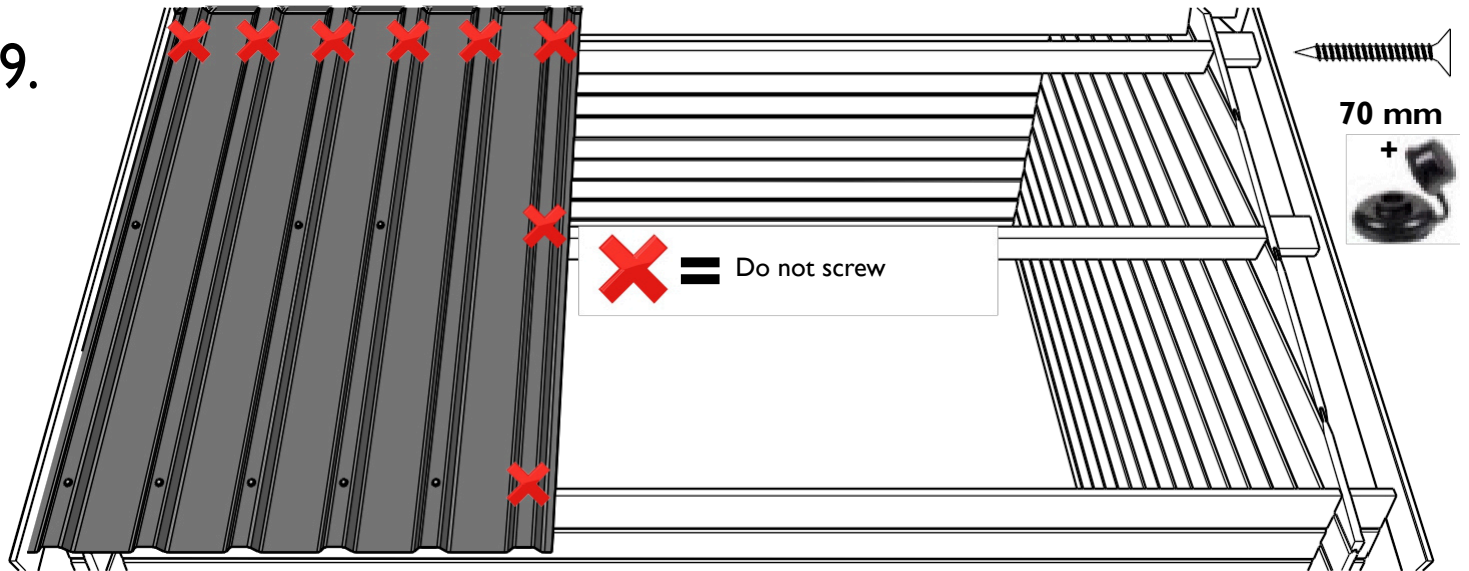


8.



Place the trim battens FSL at the front and rear. Screw them onto the auxiliary rafters and upper log of the side walls using 35 mm screws, ensuring that the bottom of the trim batten is 4 cm below the bottom of the auxiliary rafters.

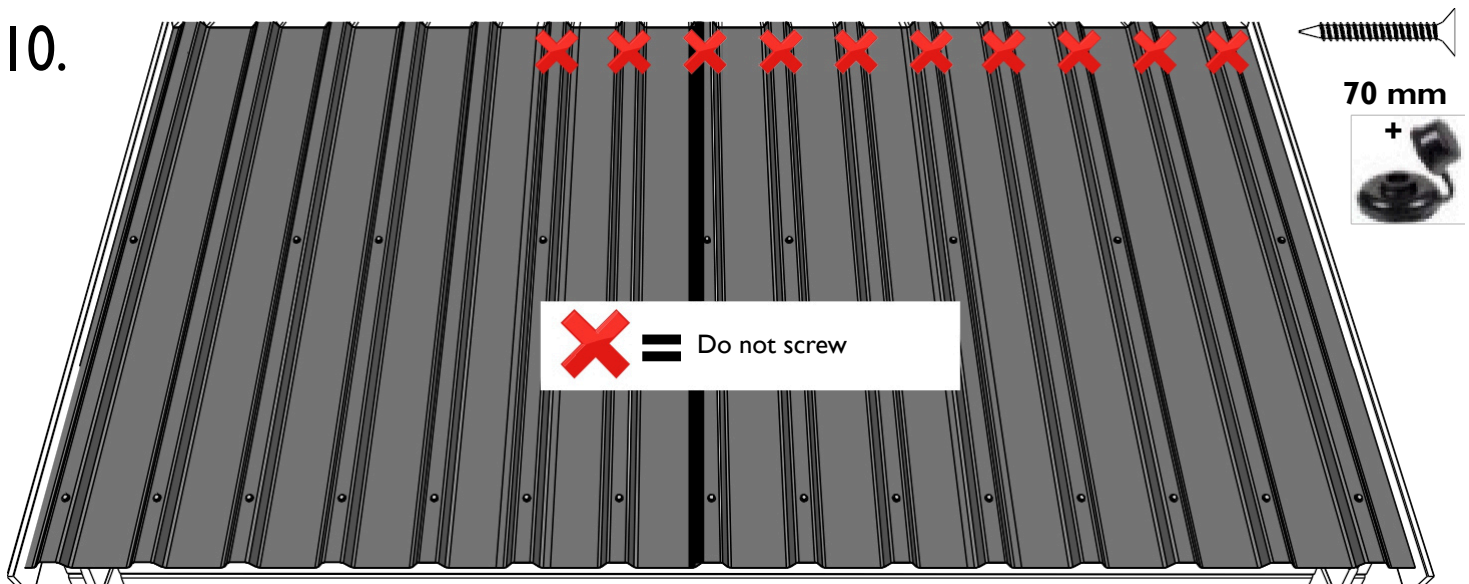
9.



Stretch a string from the top of the front gable to the top of the rear gable.

Attach the first polyester sheet to the front trim batten and at the top, flush with the stretched string. Secure it to the side wall (each corrugation, except for the corrugation where the next sheet will overlap) and the middle roof rafters (every 2 bumps), but not yet to the top rafter.

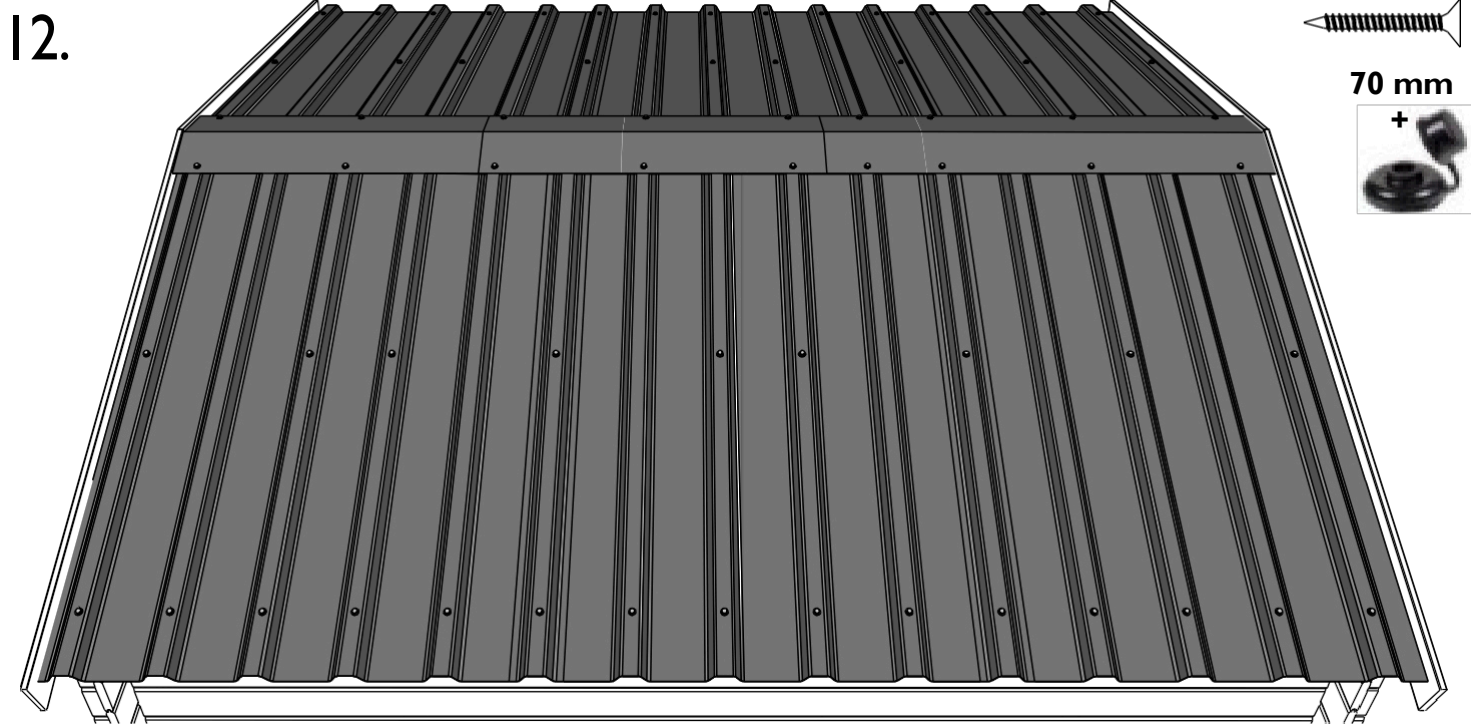
10.



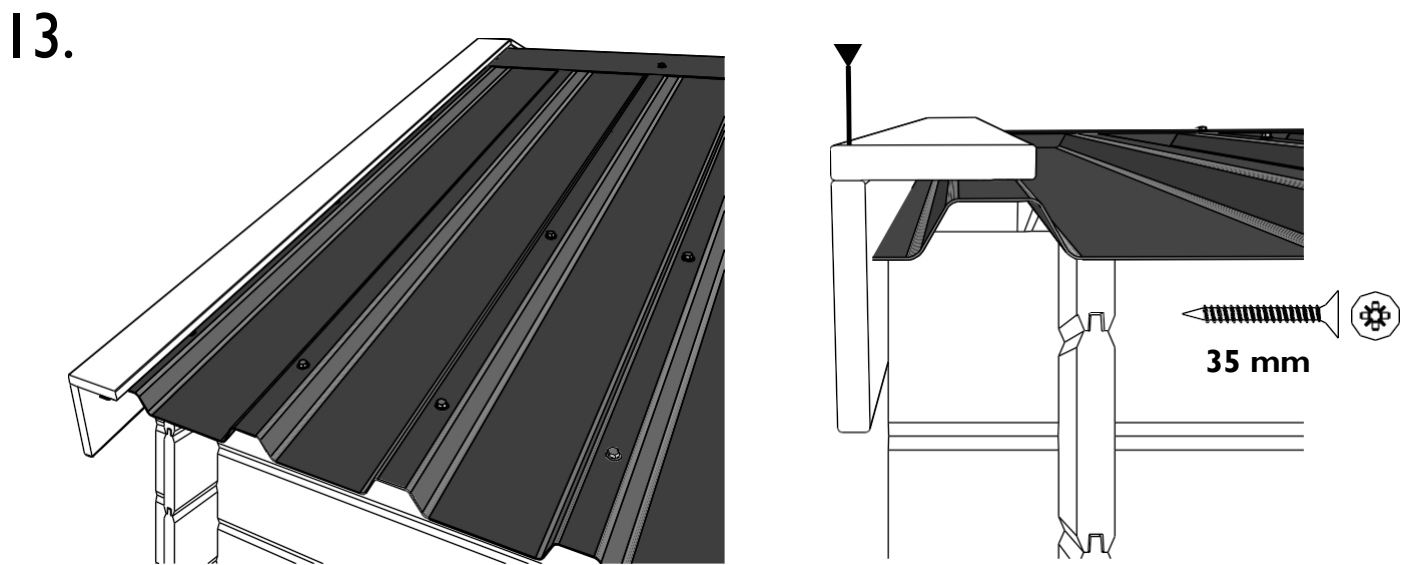
Number of sheets may vary depending on model

Place the next sheet, overlapping by one corrugation. Secure it. Measure, cut the last sheet to the correct width and place it in position.

11. Repeat steps 9 to 10 on the other side of the roof.

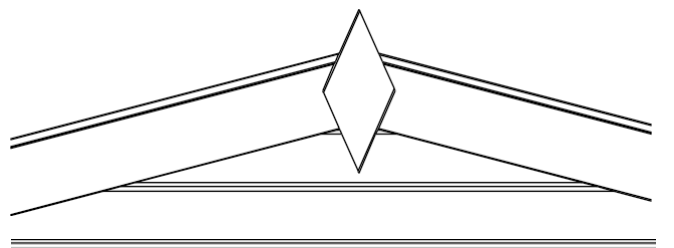


Place the ridges. Distribute the different pieces over the length of the roof. Take into account the prevailing wind direction: start away from it and work in the direction from which the wind is coming.

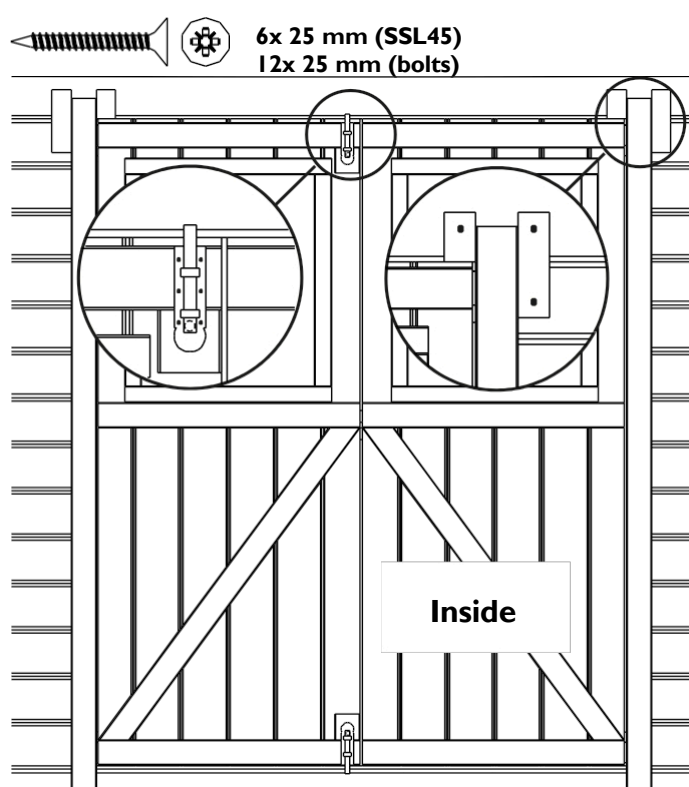
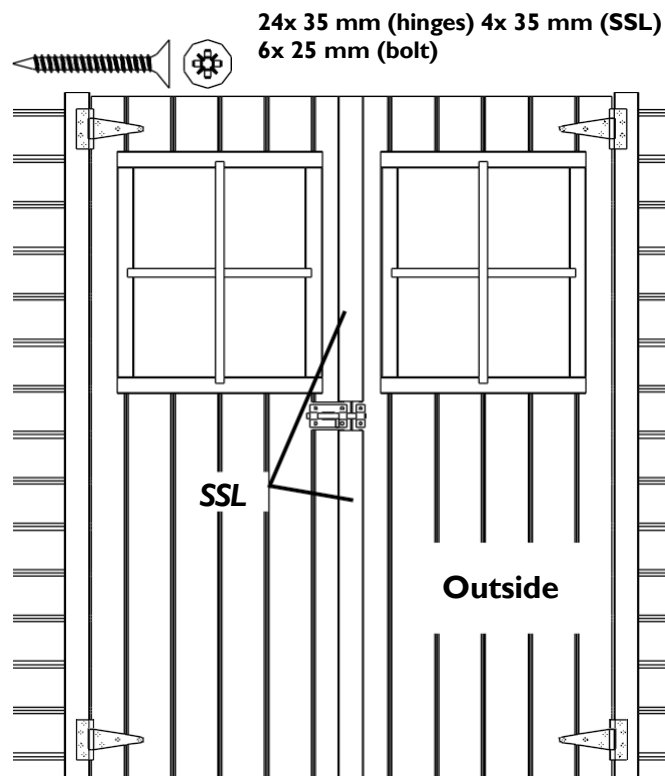


Screw the OSB storm battens on top of the FSL. See detail. To finish, attach the diamond finial where the FSL battens meet.

14. As a finishing touch, attach the diamond finial where the FSL battens meet.



- 15.** Place two hinges per door. Hang the doors in the door opening, with the hinges on the outside of the door jamb. Check that the door leaves are hanging straight. Secure the door jambs at the top by screwing a block (SSL45) to the left and right of each jamb. Never attach the door jamb directly to the log cabin ('wood lives'). Place the latch (in 2 parts SSL) on the outside of the left door leaf. Mount the padlock hasp between the 2 parts. Attach the bolts on the inside of the fixed door half; top and bottom. Seal all windows with silicone (not included) on the inside and outside.

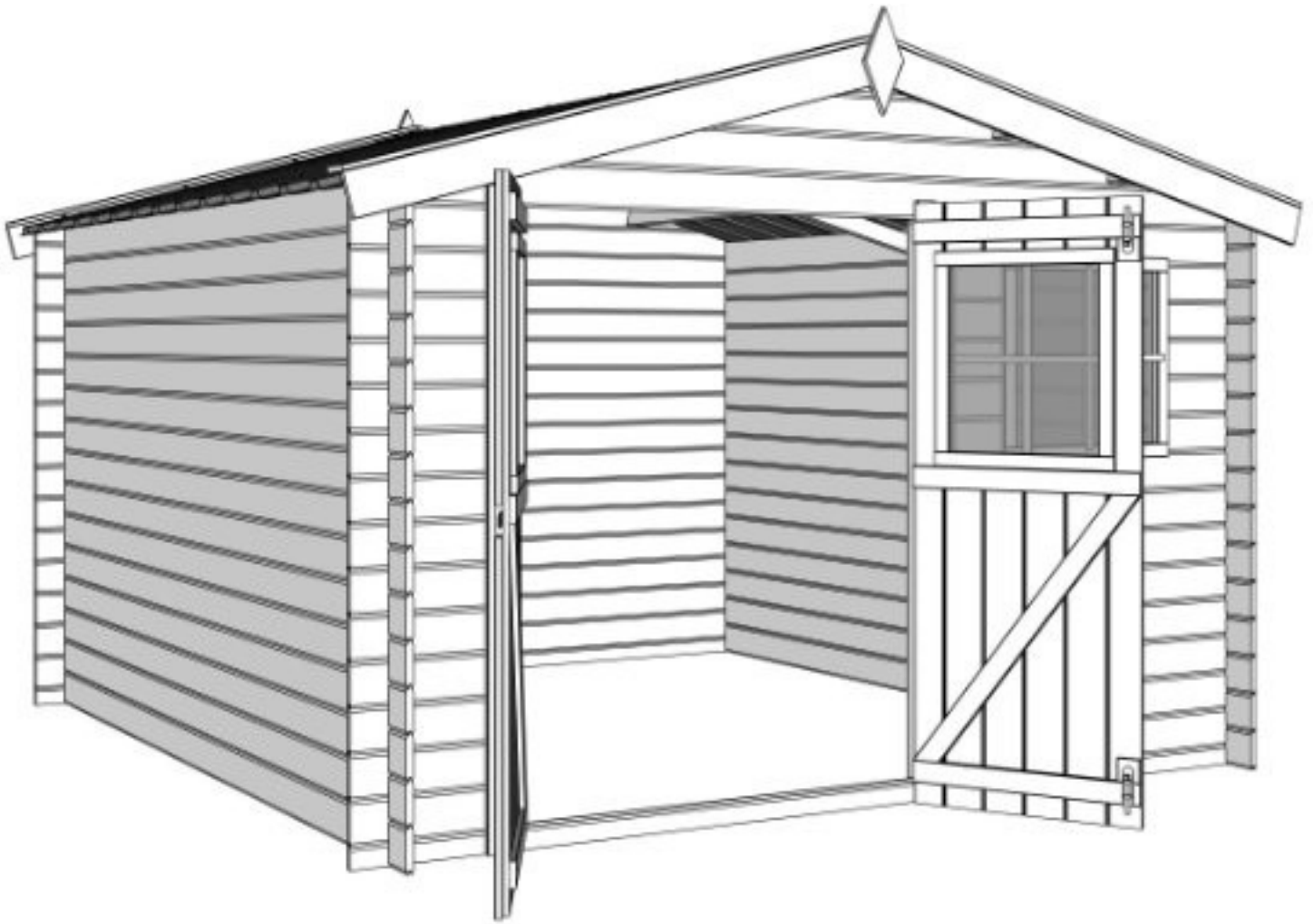


- 16.** Seal the following areas with silicone (not included):
- The joint between the garden shed and its base on the outside,
  - Around the glass.



To make your log cabin storm-resistant, you will need to install storm bracing. This connects the roof and walls to the base. So make sure it is properly secured to the ground. Always ensure that you do not obstruct vertical shrinkage and expansion (see 'wood lives'). Gardenas dealers sell our standard storm bracing. An alternative is to attach a screw to both the top and bottom logs and stretch a nylon cord between them. In any case, you must ensure that the force of the storm bracing does not cause the wall to bulge. If this is the case, you must adjust the bracing.

**Maintenance:** water, wind, snow and sun are the main enemies of your log cabin. Ask a specialist for advice if you have any questions about products, timing, etc. for treatment.



- Product liability applies only if the log cabin has been assembled in full compliance with these assembly instructions.
- The customer is responsible for adequate anchoring to the ground (protection against stormy weather).